

QUIET-RUNNING COUNTERFLOW SYSTEM PUMPS

Applications:

Adjustable counterflow for swimming training



STP

Single-stage centrifugal pumps with complete drainage device.

Inbuilt counterflow system:

This jet stream is ready for easy installation. It is possible to regulate the jet strength and air suction on the nozzle of 40 mm in diameter, which is directionally adjustable. The nozzle, suction and pneumatic switch are positioned in the front cover panel of the equipment. Complete counterflow system includes:

- Counterflow nozzle 40 mm (regulation water-air)
- Front cover panel-attractive design
- Pool wall lead-through
- Pump
- Electropneumatic switch with safety element
- PVC fitting

Motor:

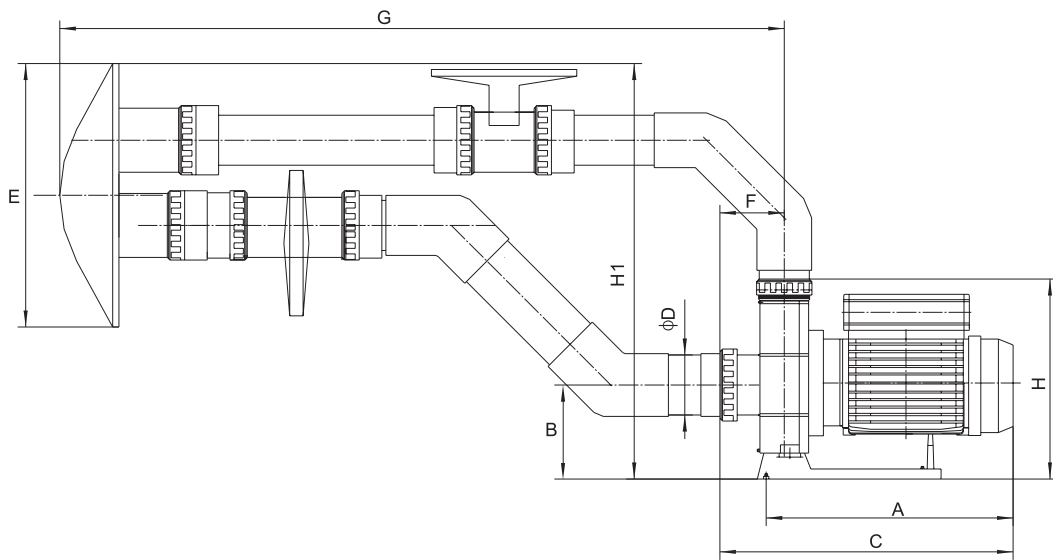
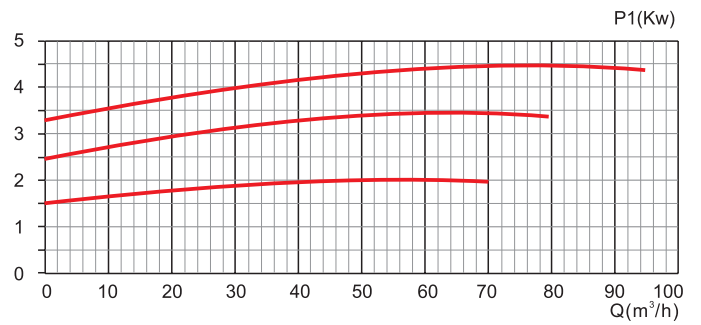
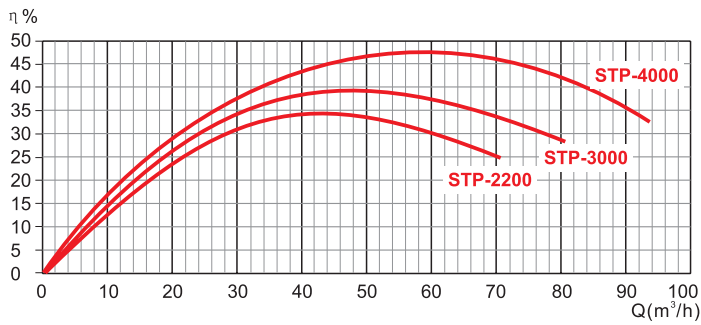
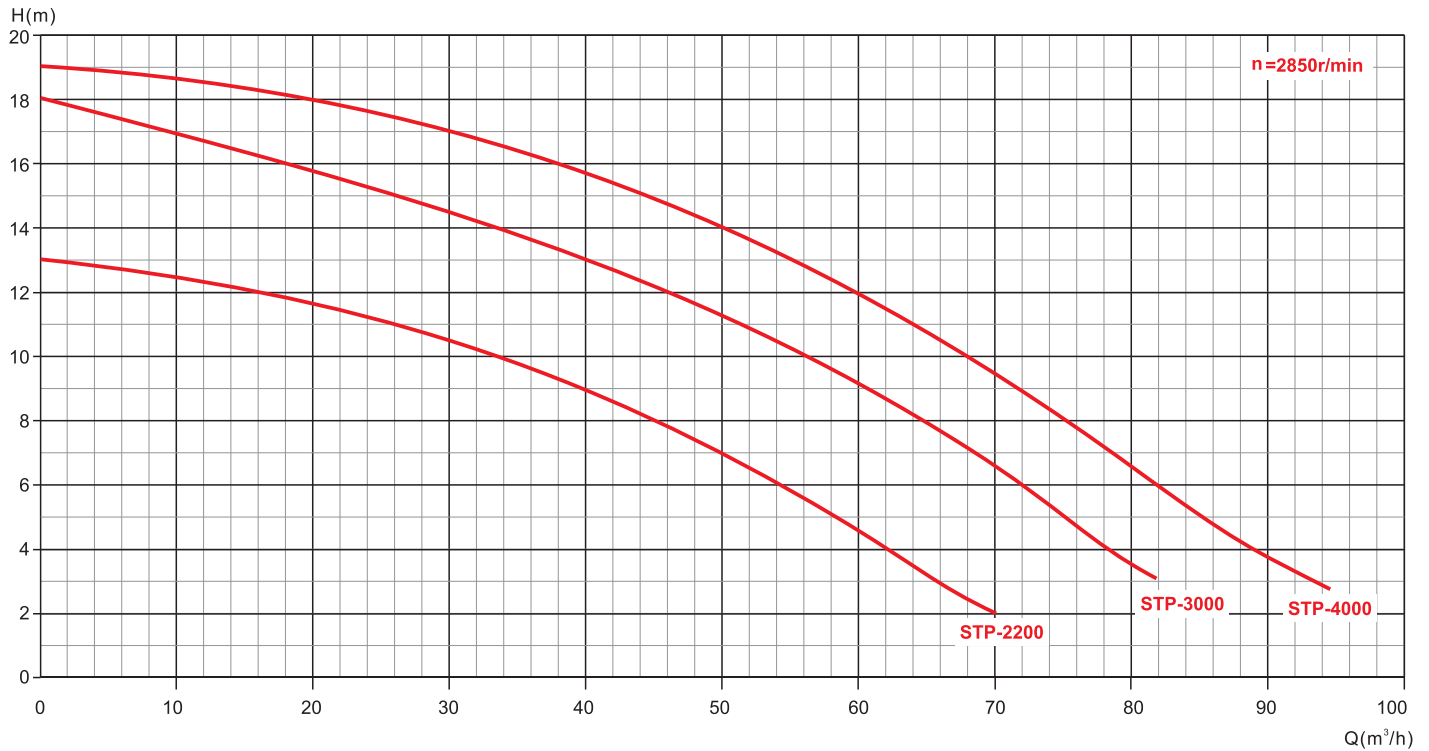
- Asynchronous, two poles.
- IP 55 protection.
- Class F insulation.
- Continuous operation.

Materials:

- Suction and discharge mountings in polypropilen.
- Motor shaft in stainless steel AISI-304.
- Impeller in polypropilen.
- Mechanical seal in graphite and steatite.
- Motor housing in aluminium L-2521.
- Windings impregnated with epoxy resin.

TECHNICAL DATA

Model	HP	KW	V		A		P1(KW)	Q	L/min m³/h									
			1~	3~	1~	3~				0	333.3	500	666.7	833.3	1000	1166.7	1333.3	1583.3
			50HZ	50HZ	220	380				0	20	30	40	50	60	70	80	95
STP-2200	3	2.2	220	380	15	4.9	2.8	H(m)	13	11.7	10.5	12.3	7	5	2.1			
STP-3000	4	3		380		6.4	3.6		18	15.7	14.8	13.6	11.2	9	6	3.2		
STP-4000	5.5	4		380		8.3	8.3		19	18	17.2	15.5	13.8	11.8	9.2	6.5	3	

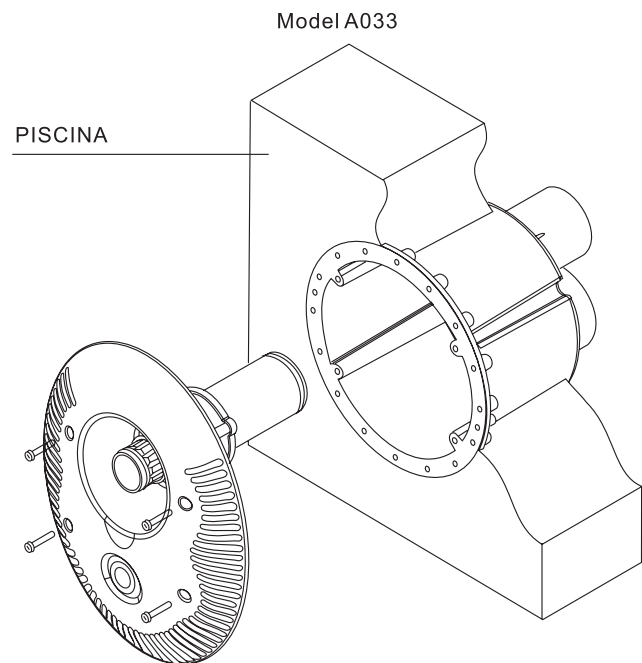


DIMENSIONS

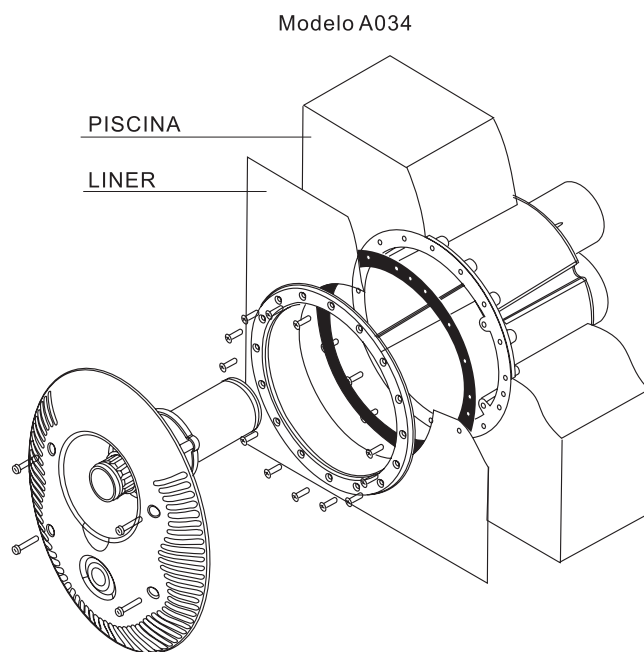
Model	A	B	C	D	E	F	G	H	H1
STP-2200	370	156	440	Φ 75	395	77	1110	340	635
STP-3000	410	156	470	Φ 75	395	77	1110	340	635
STP-4000	410	156	470	Φ 75	395	77	1110	340	635

STP COUNTERGLOW JET

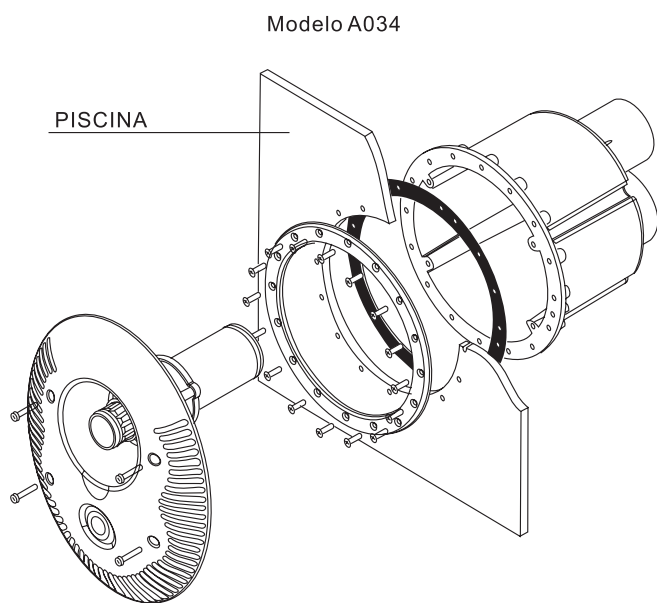
INSTALLATION IN CONCRETE SWIMMING POOLS



INSTALLATION IN CONCRETE SWIMMING POOLS WITH LINER



INSTALLATION IN PREFABRICATED SWIMMING POOLS



INSTALLATION IN PANELLED SWIMMING POOLS WITH LINER

