

QUIET-RUNNING BATHTUB WHIRLPOOL PUMPS

Applications:
Compact hydromassage units



BTP

Single-stage centrifugal pumps with complete drainage device.

Materials:

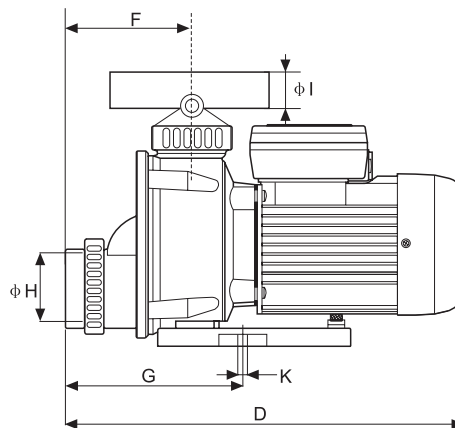
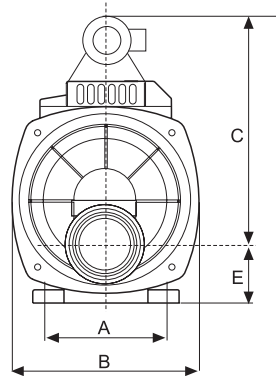
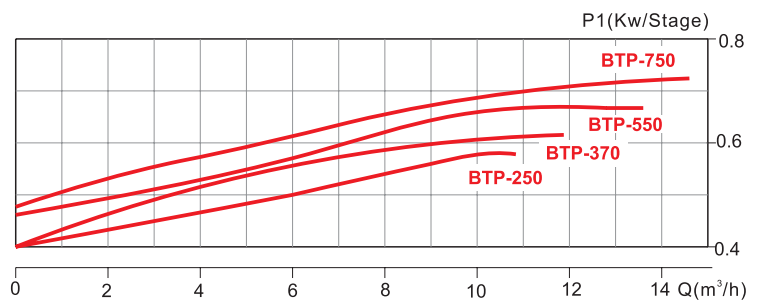
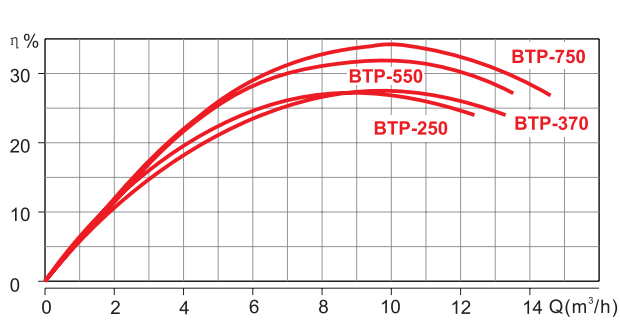
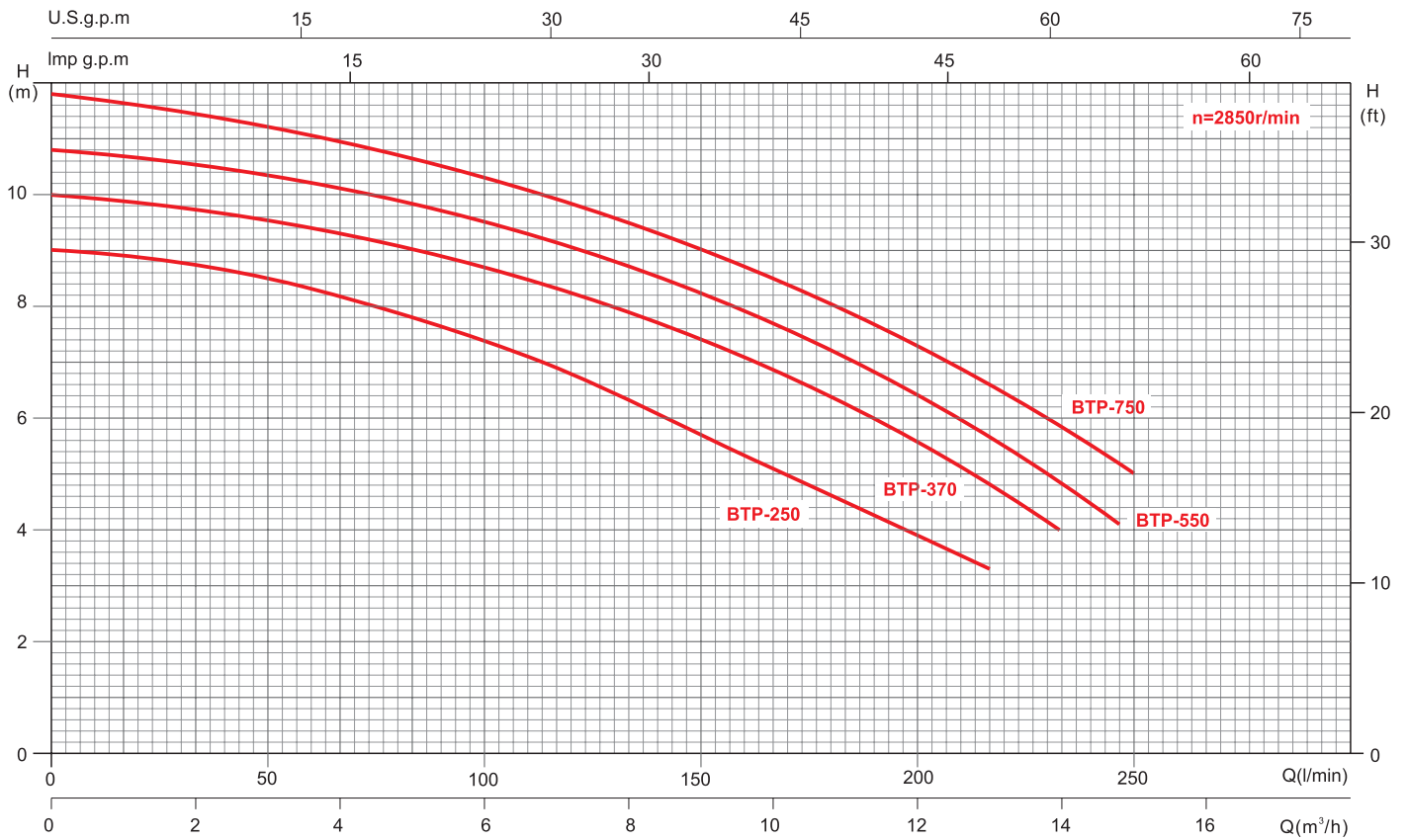
Suction and discharge mountings in polypropilen.
Motor shaft in stainless steel AISI-420.
Impeller in polypropilen.
Mechanical seal in graphite and steatite.
Motor housing in aluminium L-2521.
Windings impregnated with epoxy resin.

Motor:

Asynchronous, two poles.
IP 55 protection.
Class F insulation.
Continuous operation.
Built-in thermal protection.

TECHNICAL DATA

Model	KW	V		A		P1(KW)		Q	L/min m³/h	0	50	100	150	175	200	250
		1~	3~	1~	3~	1~	3~									
		50HZ	50HZ	220	380	1~	3~									
BTP-250	0.25	220		2.3		0.5		H(m)	9.1	8.5	7.5	5.7	4.7	3.9		
BTP-370	0.37	220		2.9		0.65			10.0	9.6	8.3	7.1	5.8	5		
BTP-550	0.55	220		3.2		0.71			10.8	10.5	9.8	8.3	7.4	6.4	4.2	
BTP-750	0.75	220		3.74		0.85			11.8	11.3	10.8	9.2	8.2	7.1	5.1	



DIMENSIONS

	A	B	C	D	E	F	G	H	I	K	Kg
BTP-250	105	155	210	357	47	125	167	φ 50	φ 32	2-φ9	4.1
BTP-370	105	155	210	357	47	125	167	φ 50	φ 32	2-φ9	4.4
BTP-550	105	155	210	357	47	125	167	φ 50	φ 32	2-φ9	5.1
BTP-750	105	155	210	357	47	125	167	φ 50	φ 32	2-φ9	6.5